



Electric 4 - Directional Sideloader

LT 15 - 20

FIORA sideloaders, equipped with 4 directional steering are designed and built to handle long and palletized loads economically in narrow aisles.

The use of modern components and the latest technology make FIORA side lifts efficient and reliable even in the harshest operating conditions.



Driver friendly ergonomics

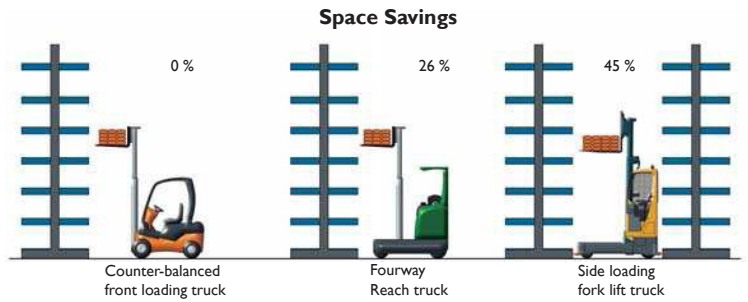
The compact and dependable E Series is operated in a standing position allowing for extreme narrow aisles. The convenient access to the compartment affords a quick entry and exit of the operators cab.

Built on a similar frame the R Series provides for a seated operator facing in the longitudinal direction. The operator is seated next to the transported material. A fully adjustable seat within easy reach to all controls, ensures the driver comfort and accurate control of the vehicle. Access to the cab is from the corridor side which enables the operator to enter and exit the vehicle even when the machine is situated within the narrow aisle.



Ergonomic cabin with access on the corridor side

Technical Specifications



FIORA trucks employ the latest technology to ensure reliability and efficiency.

- Safety and security provided with the key start
- Large sized cushion rubber or poly tire options. Individual wheels located on the battery side and twin tires on the load side provide high ground clearance suitable for working indoors and outdoors. This stable platform reduces the average wheel pressure to 5.5 lbs/in²
- A rigid chassis designed to reduce the overall frame width (and thus the working aisle) also ensures the vehicle a stabile platform with high lift heights.
- Low deck height for better space utilization at low levels.
- Mast sections are oversized and built with extruded manganese steel.
- High safety coefficients allow high residual capacities at the maximum elevation even with exted load centers.
- Zapi electronic and Sauer Danfoss hydraulics are featured on these vehicles
- Adjustment and customizing of speed and lift parameters.
- Energy recovery braking system improves the battery cycle and life expectancy providing wear free braking further reducing maintenance.
- Quick battery exchange for multi-shift work environment.



Wide & Large diameter poly or cushion tires

Rapid battery exchange with fork pockets



Operational Controls

Conventional steering wheel and hydraulic levers are easy to understand and simple to control all the forklift functions. By moving the levers, the hydraulic functions are actuated and proportionally controlled. The servo assisted steering is responsive to the operators motion.

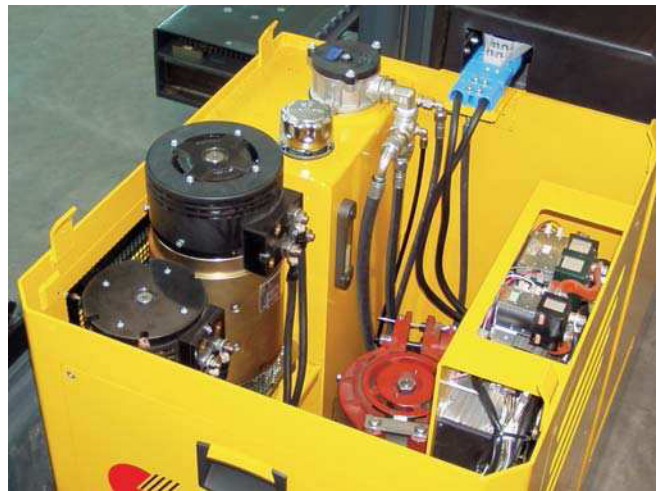


The control centre features the vehicle direction indicator as well as wheel angle indicator. Lights indicate the direction of travel and other vehicle functions.



Maintenance

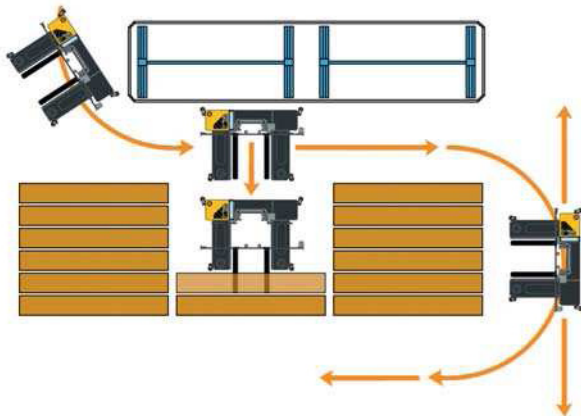
FIORA's on going commitment to employ the latest technology and advanced componentry makes it possible to reduce maintenance times and limit operating costs. The layout of the components has been designed to allow quick and easy maintenance access.



Optional

On request optional equipment such as: extended load bed, wide fork carriage with hydraulic adjustable fork spreader, individual fork load leveling, guide rollers, automatic shelf level selector, TV camera and monitor, integrated load weight cells and much much more are available - custom built to suit your application.

Four Travel directions



FIORA E & R series side lift trucks can move in 4 travel directions. The operator can choose the direction of travel and steer in the longitudinal axis or lock the wheel in position to facilitate material storage operations.



PMH

Professional Materials Handling Co., Inc.

6932 Hanging Moss Road

Orlando, FL - 32807

Tel (407) 677 - 0040

Fax (407) 678 - 0273

US distributor

email: info@pmh-co.com

www.pmh-co.com



LT 15 -20 (US) 09/2009

Manufacturer reserves the right to make technical changes without prior notice.
Pictures and illustrations may show equipment with optional equipment.